

Single Color LED Controller

Model No.: V1-T



3-in-1 dimming/RF remote/0-10V/ Push Dim/20A output/Auto-transmitting/Synchronize

Features

- RF remote, 0/1-10V, Push Dim (3-in-1) dimming.
- Match with Skydance's 2.4G dimming remote control, one RF controller accept up to 10 remote control.
- Auto-transmitting function: Controller automatically transmit signal to another controller with 15m control distance.
- Synchronize on multiple number of controllers.
- Connect with external push switch to achieve on/off and dimming function.



FC CE RoHS RED

Technical Parameters

| Input and Output | |
|------------------|------------------------|
| Input voltage | 12-24VDC |
| Input current | 20.5A |
| Output voltage | 12-24VDC |
| Output current | 1CH,20A |
| Output power | 240W/480W (12V/24V) |
| Output type | Constant voltage |

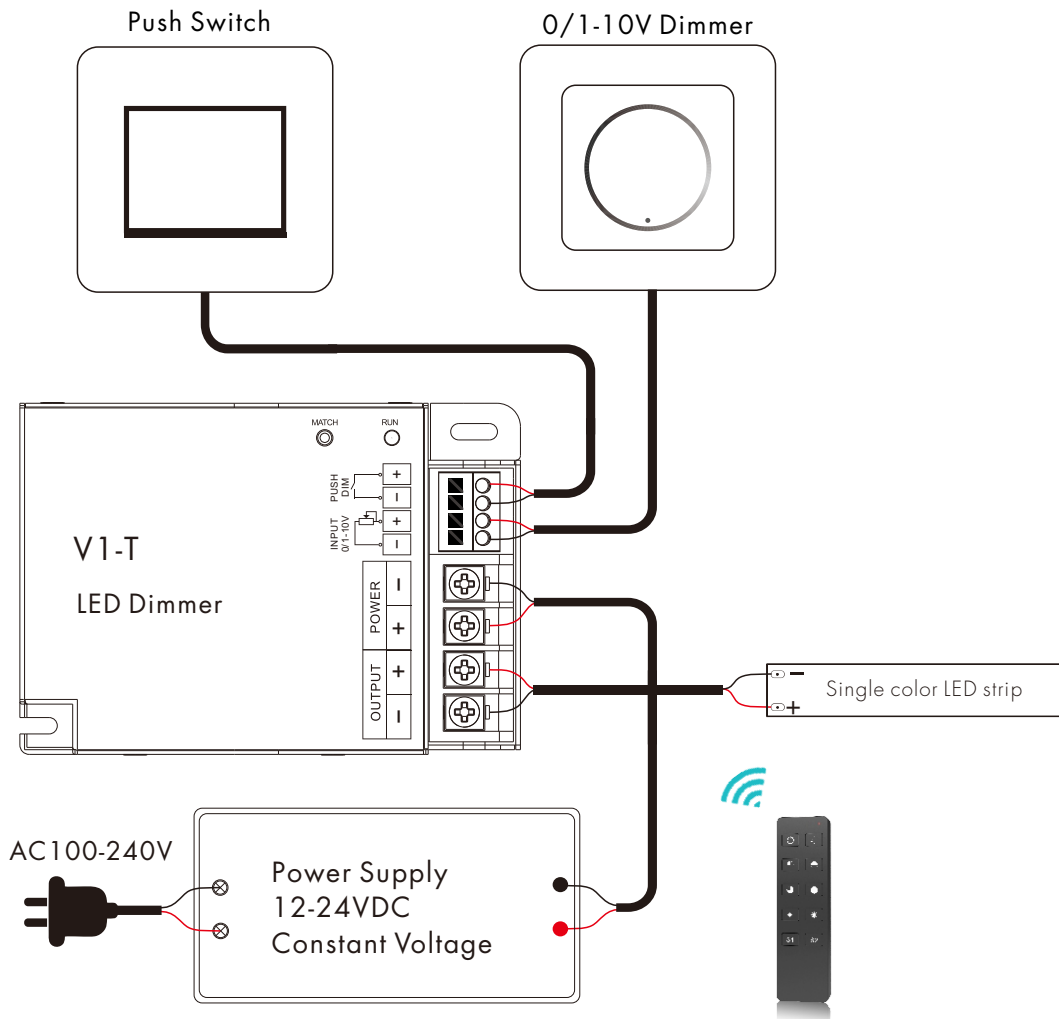
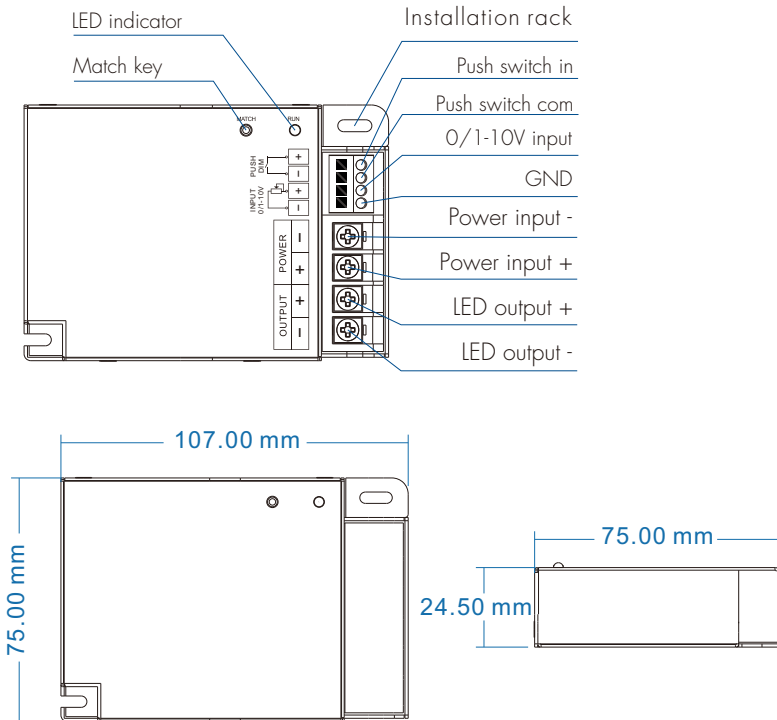
| Environment | |
|-------------------------|-------------------|
| Operation temperature | Ta: -30°C ~ +55°C |
| Case temperature (Max.) | Tc: +85°C |
| IP rating | IP20 |

| Warranty and Protection | |
|-------------------------|------------------|
| Warranty | 5 years |
| Protection | Reverse Polarity |

| Dimming data | |
|------------------|----------------------------------|
| Input signal | RF 2.4GHz 0/1-10V Push Dim |
| Control distance | 15m |
| Dimming level | 4096 levels |
| Dimming range | 0-100% |
| Dimming curve | Logarithmic |
| PWM Frequency | 500Hz |

| Safety and EMC | |
|----------------------|--------------------|
| EMC standard (EMC) | EN301 489,EN 62479 |
| Safety standard(LVD) | EN60950 |
| Radio Equipment(RED) | EN300 328 |
| Certification | CE,EMC,LVD,RED |

Mechanical Structures and Installations



Match Remote Control (two match ways)

End user can choose the suitable match/delete ways. Two options are offered for selection:

Use the controller's Match key

Match:

Short press match key, immediately press on/off key (single zone remote) or zone key (multiple zone remote) of the remote.

Delete:

Press and hold match key for 5s to delete all match, The light blinks 5 times means all matched remotes were deleted.

Use Power Restart

Match:

Switch off the power, then switch on power again, immediately short press on/off key (single zone remote) or zone key (multiple zone remote) 3 times on the remote. The light blinks 3 times means match is successful.

Delete:

Switch off the power, then switch on power again, immediately short press on/off key (single zone remote) or zone key (multiple zone remote) 5 times on the remote. The light blinks 5 times means all matched remotes were deleted.

0/1-10V Dimming

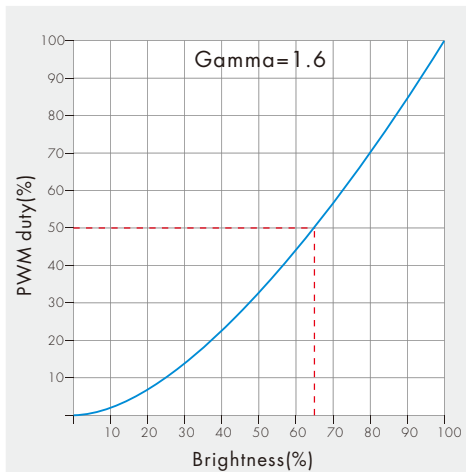
- 0-100% dimming.
- Compliant with 0-10V, 1-10V, 10V PWM, RX(4 in 1).

Push Dim Function

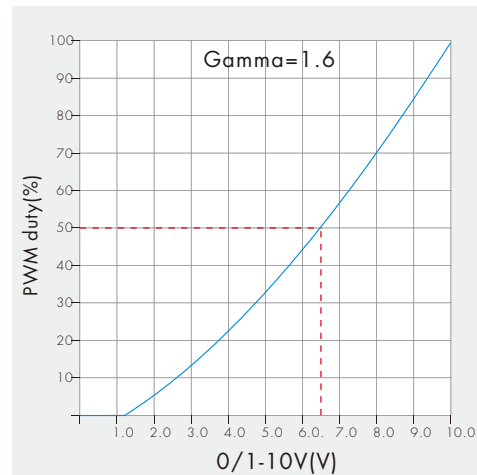
- **Short press:**
Turn on or off light.
- **Long press (1-6s):**
Press and hold to step-less dimming,
With every other long press, the light level goes to the opposite direction.
- **Dimming memory:**
Light returns to the previous dimming level when switched off and on again, even at power failure.

Dimming Curve

RF and Push dimming



0/1-10V dimming



Malfunctions Analysis & Troubleshooting

| Malfunctions | Causes | Troubleshooting |
|------------------------------------------------------------|--------------------------------------------------------------------------------------------------------------------------------------------------------------------------------------------------------------------|-------------------------------------------------------------------------------------------------------------------------------------------------------------------------------|
| No light | <ol style="list-style-type: none"> No power. Wrong connection or insecure. | <ol style="list-style-type: none"> Check the power. Check the connection. |
| Uneven intensity between front and rear, with voltage drop | <ol style="list-style-type: none"> Output cable is too long. Wire diameter is too small. Overload beyond power supply capability. Overload beyond controller capability. | <ol style="list-style-type: none"> Reduce cable or loop supply. Change wider wire. Replace higher power supply. Add power repeater. |
| No response from the remote | <ol style="list-style-type: none"> The battery has no power. Beyond controllable distance. The controller did not match the remote. | <ol style="list-style-type: none"> Replace battery. Reduce remote distance. Re-match the remote. |