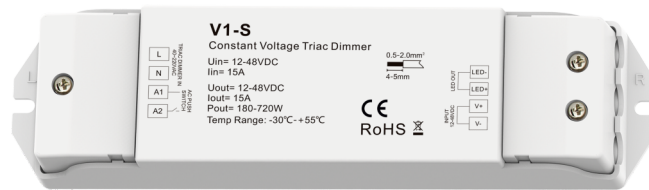


# Constant Voltage Triac Dimmer

Model No.: V1-S

1 Channel/Constant voltage/Triac dimming/Logarithmic dimming curve/AC Push-Dim



FC CE RoHS LVD

## Features

- Triac dimming, input AC40V-220V dimming signal.
- Apply to leading edge/trailing edge Triac dimmers and dimming system.
- One channel PWM constant voltage output, output current 15A max.
- PWM digital dimming, logarithmic dimming curve.
- Over current protection, short circuit protection, over temperature protection.
- Connect with external AC push switch to achieve on/off and dimming function.

## Technical Parameters

Input and Output	
Input voltage	12-48VDC
Input current	15A
Output voltage	12-48VDC
Output current	1CH, 15A
Output power	180W/360W/540W/720W (12V/24V/36V/48V)
Output type	Constant voltage

Dimming data	
Input signal	40-220VAC + AC Push-Dim
Dimming range	0-100%
Dimming curve	Logarithmic
PWM Frequency	500Hz

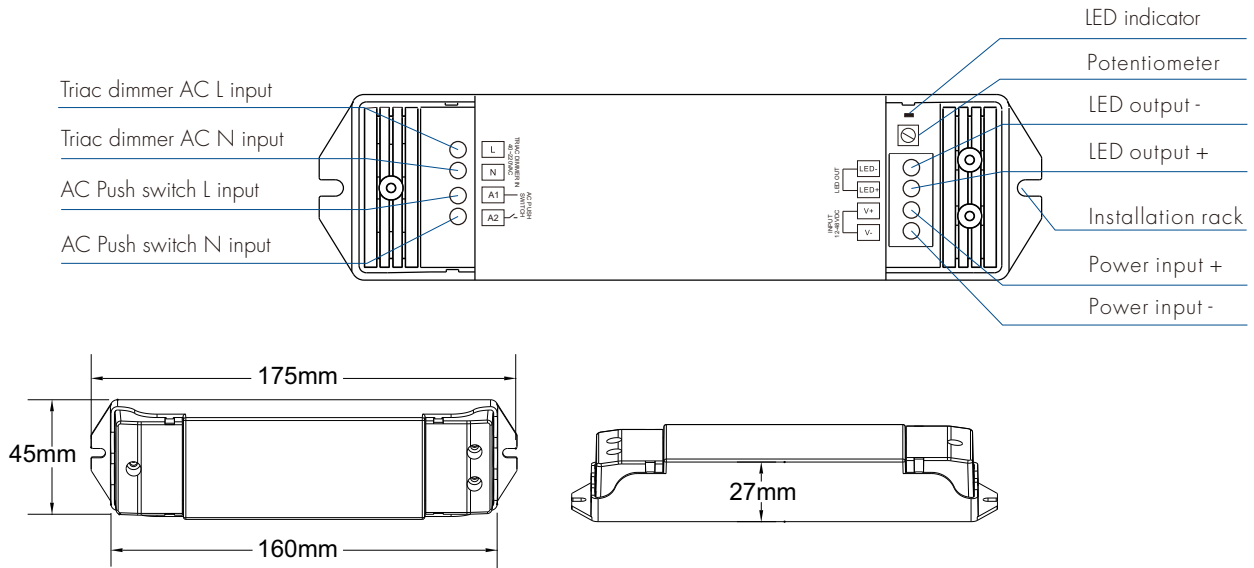
Safety and EMC	
EMC standard (EMC)	EN301 489, EN 62479
Safety standard(LVD)	EN60950
Certification	CE, EMC, LVD

Environment	
Operation temperature	T <sub>a</sub> : -30°C ~ +55°C
Case temperature (Max.)	T <sub>c</sub> : +85°C
IP rating	IP20

Warranty and Protection	
Warranty	5 years
Protection	Reverse polarity Over current Short circuit Over temperature

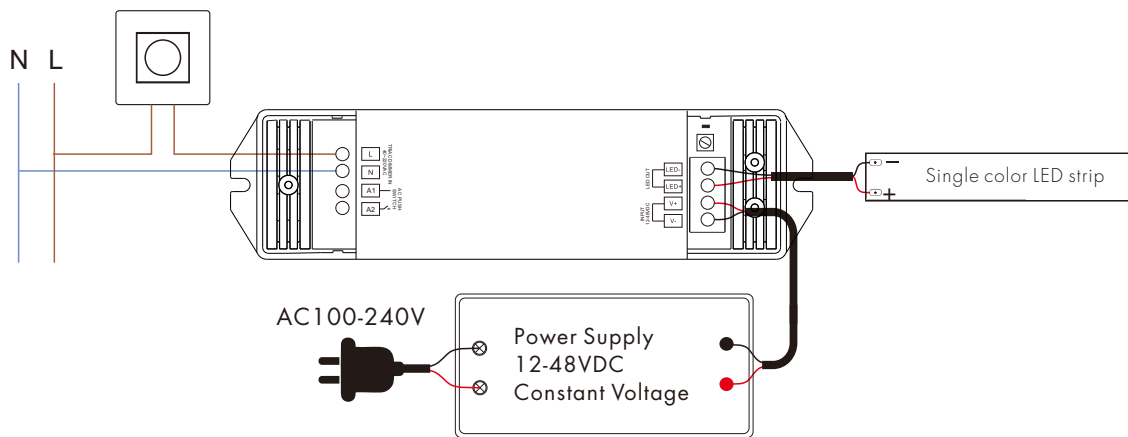


## Mechanical Structures and Installations

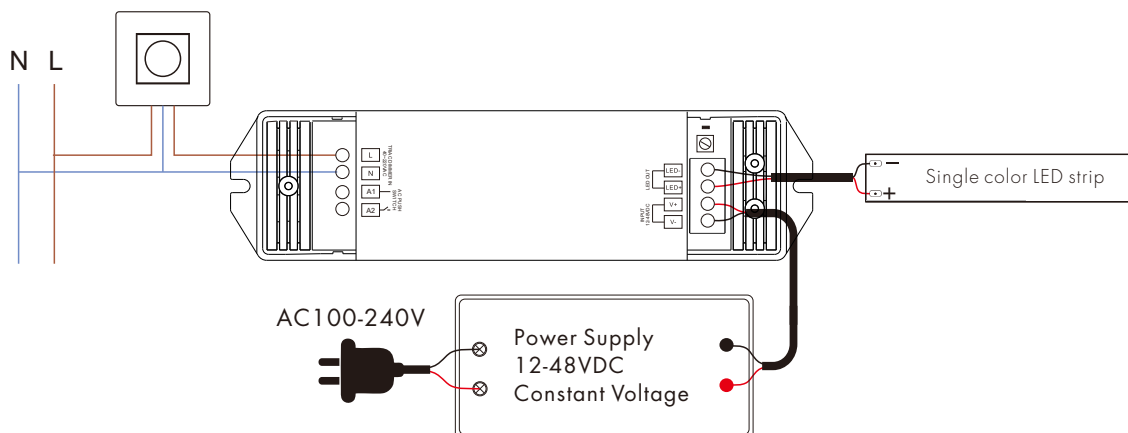


## Wiring Diagram

### 1. Connect Triac dimmer(no Neutral wire)



### 2. Connect Triac dimmer(with Neutral wire)



## AC Push-Dim Function

The provided Push-Dim interface allows for a simple dimming method using commercially available non-latching (momentary) wall switches.

- **Short press:**

Turn on or off light.

- **Long press (1-6s):**

Press and hold to step-less dimming,

With every other long press, the light level goes to the opposite direction.

- **Dimming memory:**

Light returns to the previous dimming level when switched off and on again, even at power failure.

- **Synchronization:**

If more than one controller are connected to the same push switch, do a long press for more than 10s, then the system is synchronized and all lights in the group dim up to 100%.

This means there is no need for any additional synchrony wire in larger installations.

We recommend the number of controllers connected to a push switch does not exceed 25 pieces,

The maximum length of the wires from push to controller should be no more than 20 meters.

## Dimming curve

